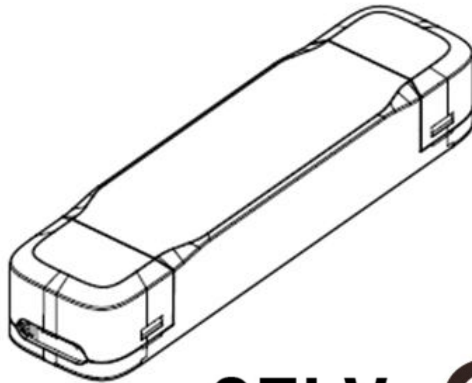


60W Constant Voltage-LS Series

LS-60-XX LI1



■ Approve



■ Features

- Class II, SELV, independent
- Input Voltage 220-240VAC
- Protections: SCP/OLP/OVP/OTP
- Power Factor >0.9
- Efficiency ≥87%
- 5 years warranty

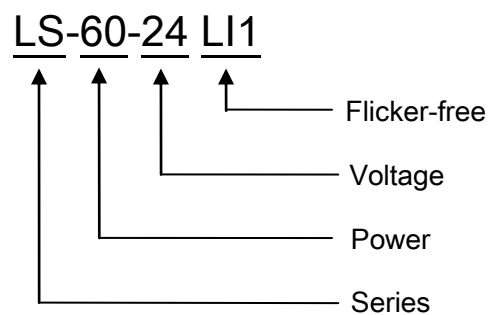
■ Applications

- LED strips
- Pendant light

■ Description

LS-60-XX LI1 is a 60W constant voltage LED driver that operates from 176-264Vac input with 12V or 24V output voltage. With its compact dimensions from 187 x 45 x 30.5 mm it is easy to integrate in LED strips and pendant light products. To ensure trouble-free operation, protection is provided against output short circuit and over Load.

■ Model code



60W Constant Voltage-LS Series

LS-60-XX LI1

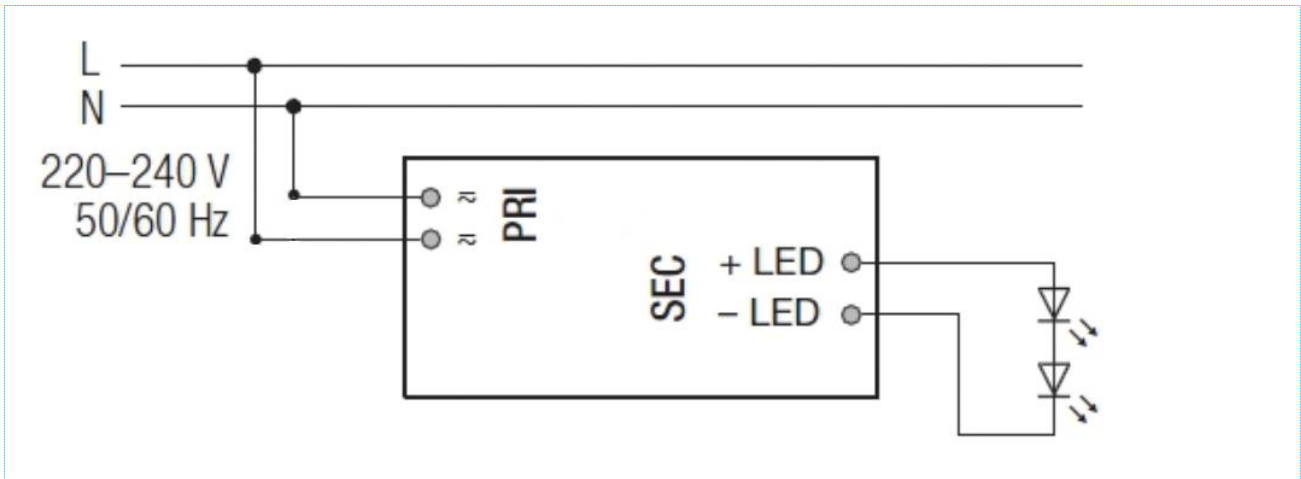
■ Specification

| | | | |
|--------------|--|--|---|
| Input | Rated input voltage | 220-240VAC | |
| | Range of input voltage | 176-264VAC | |
| | Frequency(Hz) | 50/60 Hz | |
| | Power Factor | > 0.9@220-240VAC, Full load | |
| | Input Current max | 0.47A MAX. @Full Load,176VAC | |
| | Start-up time | < 0.5S | |
| | Unload Power Consumption | ≤0.5W | |
| | Inrush Current | 45A Max. | |
| | THD | < 10% @220-240VAC, Full load | |
| | Leakage Current | < 0.5mA(240VAC) | |
| Output | Constant Voltage | 12VDC | 24VDC |
| | Current Range | 0-5A | 0-2.5A |
| | Rated power | 60W Max. | |
| | Voltage Accuracy | ±5% | |
| | Voltage Regulation | ±5% @Full Load | |
| | Load Regulation | ≤5% | |
| | Hold-up Time | 1s max.@Full Load | |
| | Ripple & Noise *Note.2 | ≤240mV@Full Load,240VAC | ≤480mV@Full Load,240VAC |
| | Output LF current ripple(<120Hz) | ≤±1% @Full Load | |
| | Efficiency(Typ.) | ≥87% | |
| Protection | Over Load Protection | 105-150% Protection type: Auto Resume | |
| | Over Voltage Protection | > 12.6VDC | > 25.2VDC Protection type: Auto Resume |
| | Short circuit Protection | Protection type: Auto Resume | |
| | Over Temperature protection | Protection type: Auto Resume | |
| Environment | Operating Temperature | -10°C...+45°C | |
| | tc | 85°C | |
| | Storage Temperature | -20°C...+60°C | |
| | Life time | > 30,000h@45°C | |
| | Temperature coefficient | ±0.03%/°C(0-45°C) | |
| | Humidity | 20%-90%RH | |
| Others | Dimension | 187X45X30.5(LXWXH)mm | |
| Safety & EMC | Safety standards | EN 61347-1; EN61347-2-13; EN62493 | |
| | Withstand voltage | Input-Output : 3750V/5mA/1min | |
| | Isolation resistance | Input-Output : ≥4MΩ@500VDC | |
| | EMI | EN55015; EN61000-3-2 Class C; EN61000-3-3 | |
| | EMS | EN 61547; EN 61000-4-2; EN 61000-4-5 —1000V; | |
| Note | 1.All parameters NOT specially mentioned are measured at 240VAC input , full load and 25°C of ambient temperature. 2.Ripple & Noise are measured at 20MHz of bandwidth by using a 300mm twisted pair-wire terminated with a 0.1uF & 47 uF parallel capacitor. | | |

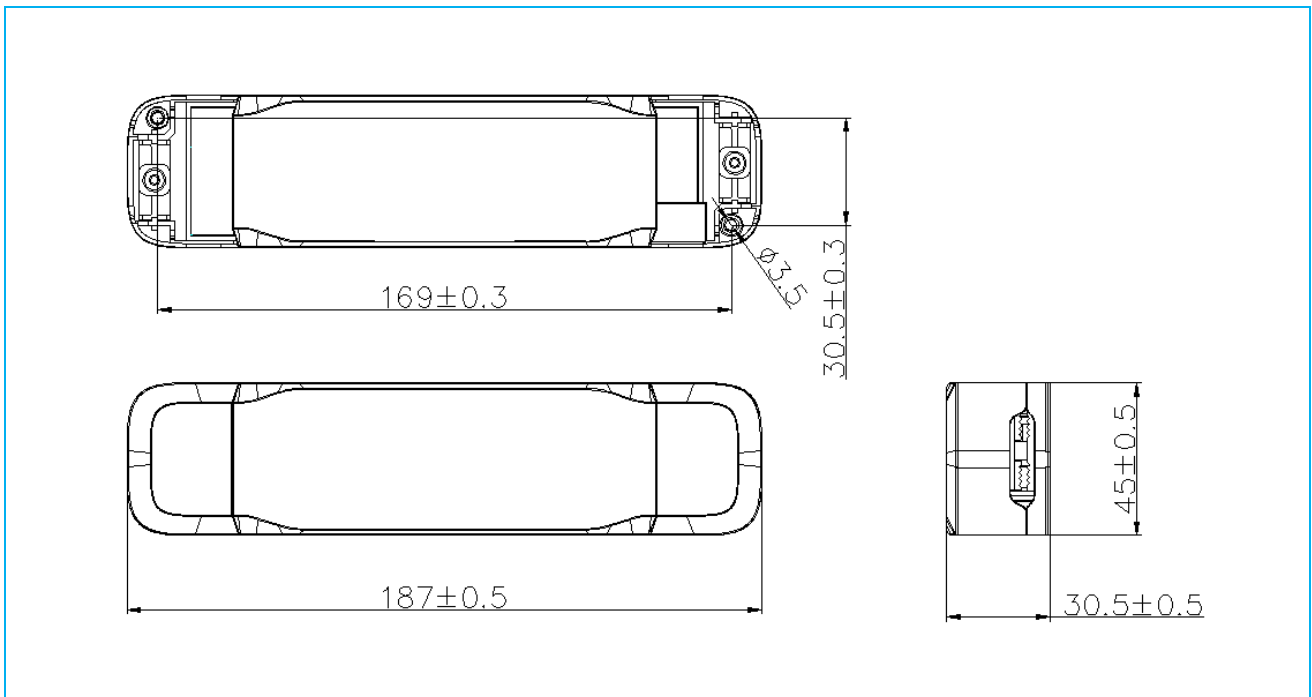
60W Constant Voltage-LS Series

LS-60-XX LI1

■Wiring diagram



■2D diagram

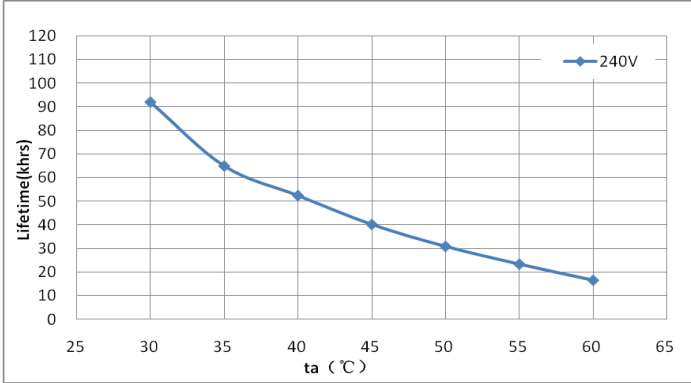


60W Constant Voltage-LS Series

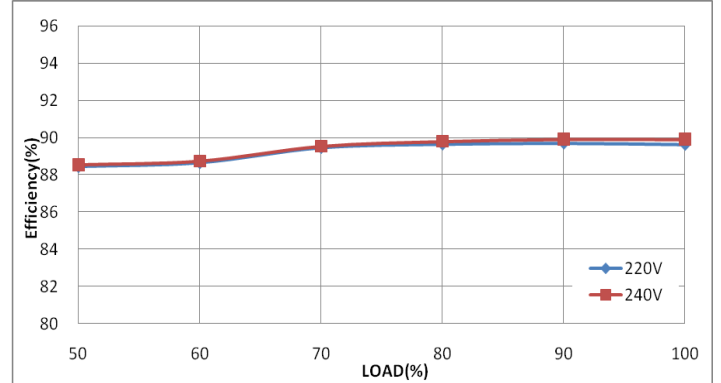
LS-60-XX LI1

■ Curve for LS-60-12 LI1

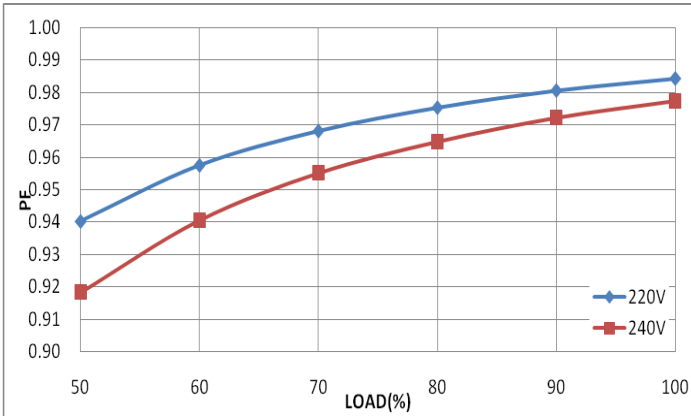
Lifetime vs. Ambient Temperature Curve



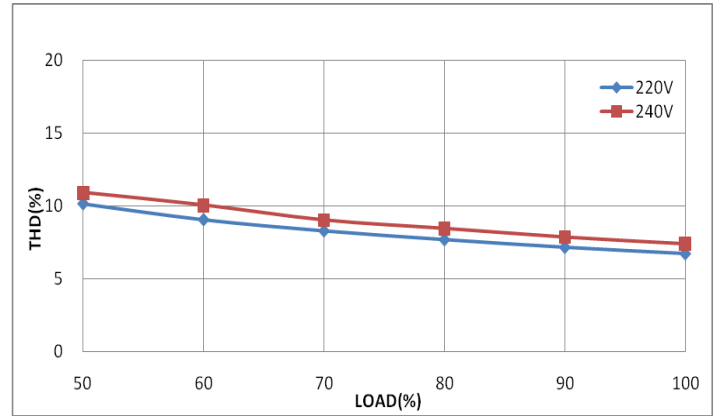
Efficiency vs. Load



Power Factor Characteristics



THD vs. Load



■ Operating window

