



# LED POWER SUPPLY DATASHEET

**SS75-12VL**

**DESCRIPTION**

High Cost Performance,SELV. Open circuit, short circuit,overload and over temperature protection.Compliance to ERP directive,lifetime 50,000hrs.



**-Input**

Items	Conditions	Request	Note
Rated Input voltage	Ta	AC220-240V	--
Input frequency		50/60Hz	--
Input current	25°C, rated input voltage, output with max. rated power	< 0.4A	230V/50HZ
Input power		< 85W	
Efficiency		90%	
Standby	25°C, rated input voltage, output without load	< 0.5W	average
Inrush current	25°C, rated input voltage	<40A	230V/50HZ
THD	25°C, rated input voltage, output with max. rated power	<10%	230V/50HZ
PF	25°C, rated input voltage, output max. rated power	≥ 0.9	230V/50HZ

**-Output**

Items	Conditions	Request	Note
Startup time	25°C, rated input voltage, output with max. rated power	<0.5S	230V
Output voltage and precisio	Ta, rated input voltage, output with rated power	12V±5%	--
Output current range	Ta ,rated input voltage	0-6.25A	
Output voltage wave	25°C, rated input voltage, output with max. rated power	< 3%	Vp-p
Line Regulation	Ta output with rated power	1%	--
Load Regulation	Ta,rated input voltage	1%	--

**-Temperate and others**

Items	Conditions	Request	Note
Operation temp.	--	-20-45°C	--
Relative humidity	--	10%-90%	--
Max. case temp.	--	90°C	--
Lifetime MTBF	Below Tc 80°C, rated input voltage, output with max. rated power	50,000hr	--
	Max.Ta,rated input voltage,output with max.rated power	200,000hr	--
Working noise	25°C,rated input voltage,output with rated power. mute box background noise<35dB, pickup 10cm distance from products	Yes	--

**-Mechanical, mounting**

Items	Conditions
Case material and size	plastic
Mounting ways	Independent
Insulation type	Class II
IP grade	IP20
Input cables dimension	terminal
Output cables dimension	terminal
Output cables length	MAX 2m

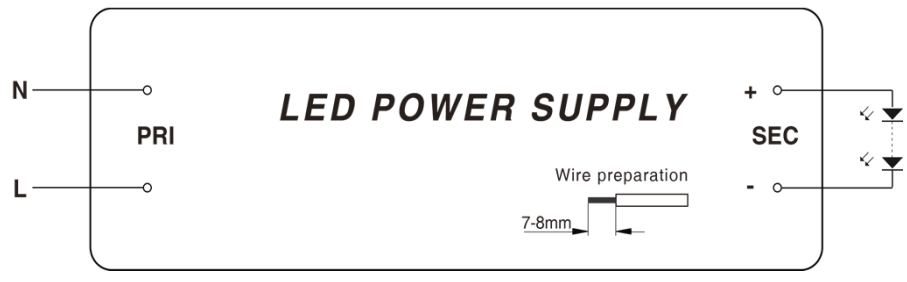
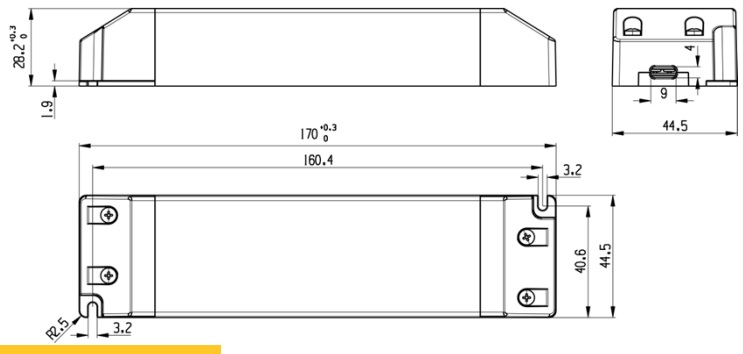
**-Protection**

Item	Conditions	Request	Note
Open circuit	Ta, rated input voltage, no load	Yes	--
Over load	Ta, 0.94-1.06 times of input voltage, 1.2 times of rated power	Yes	--
Short circuit	Ta, 0.94-1.06 times of input voltage	Yes	--
Over temperature	Ta, 0.94-1.06 times of input voltage, temperature detected pointed more than 115 degree	Yes	--
Over voltage	Ta, 0.94-1.06 times of input voltage,output voltage is 1.5 times of rated one	Yes	--
Auto recovery	Over load、short circuit	Yes	--

**-Standard**

Items	Conditions
Safety	IEC61347-1、IEC61347-2-13
Harmonic	EN61000-3-2 Class C
EMI	EN55015
EMS	EN61547

Dimensions(mm)





## LED POWER SUPPLY DATASHEET

SS75-24V-L

### DESCRIPTION

High Cost Performance, SELV. Open circuit, short circuit, overload and over temperature protection. Compliance to ERP directive, lifetime 0,000hrs.



### -Input

Items	Conditions	Request	Note
Rated Input voltage	Ta	AC220-240V	--
Input frequency		50/60Hz	--
Input current	25°C, rated input voltage, output with max. rated power	< 0.39A	230V/50HZ
Input power		< 84W	
Efficiency		91%	
Standby	25°C, rated input voltage, output without load	< 0.5W	average
Inrush current	25°C, rated input voltage	<40A	230V/50HZ
THD	25°C, rated input voltage, output with max. rated power	<10%	230V/50HZ
PF	25°C, rated input voltage, output max. rated power	≥ 0.9	230V/50HZ

### -Output

Items	Conditions	Request	Note
Startup time	25°C, rated input voltage, output with max. rated power	<0.5S	230V
Output voltage and precision	Ta, rated input voltage, output with rated power	24V±5%	--
Output current range	Ta, rated input voltage	0-3.125A	
Output voltage wave	25°C, rated input voltage, output with max. rated power	< 3%	Vp-p
Line Regulation	Ta output with rated power	1%	--
Load Regulation	Ta, rated input voltage	1%	--

### -Temperate and others

Items	Conditions	Request	Note
Operation temp.	--	-20-45°C	--
Relative humidity	--	10%-90%	--
Max. case temp.	--	90°C	--
Lifetime MTBF	Below Tc80°C, rated input voltage, output with max. rated power	50,000hr	--
	Max. Ta, rated input voltage, output with max. rated power	200,000hr	--
Working noise	25°C, rated input voltage, output with rated power, mute box background noise < 35dB, pickup 10cm distance from products	yes	--

### -Mechanical, mounting

Items	Conditions
Case material and size	plastic
Mounting ways	Independent
Insulation type	Class II
IP grade	IP20
Input cables dimension	terminal
Output cables dimension	terminal
Output cables length	MAX 2m

### -Protection

Item	Conditions	Request	Note
Open circuit	Ta, rated input voltage, no load	Yes	--
Over load	Ta, 0.94-1.06 times of input voltage, 1.2 times of rated power	Yes	--
Short circuit	Ta, 0.94-1.06 times of input voltage	Yes	--
Over temperature	Ta, 0.94-1.06 times of input voltage, temperature detected pointed more than 115 degree	Yes	--
Over voltage	Ta, 0.94-1.06 times of input voltage, output voltage is 1.5 times of rated one	Yes	--
Auto recovery	Over load, short circuit	Yes	--

### -Standard

Items	Conditions
Safety	IEC61347-1、IEC61347-2-13
Harmonic	EN61000-3-2 Class C
EMI	EN55015
EMS	EN61547

Dimensions(mm)

