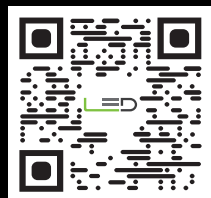


DESIOLED

**CATALOGO
STRIPLED
FLEXLED
PROFILATI ALLUMINIO
TRASFORMATORI
SISTEMI DI CONTROLLO
CUSTOM**

Denominazione sociale: DESIOLED SRL UNIPERSONALE
Sede Legale: Corso Italia 78 - 20832 Desio (Mb)
Sede operativa: Via Milano 152 - 20832 Desio (Mb)
Mail: desioled@desioled.it _ C.F. / P.Iva 07893640966
Tel. 0362.1908106



INDICE

STRIPLED

3

FLEX NEON

19

ALLUMINIO

23

ALIMENTATORI LED

31

STRIPILED



CR8120

24V-8mm



[General description]

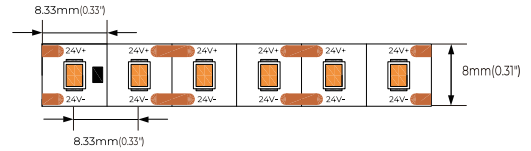
- Reel to reel process, no soldering joint.
- 24V single LED per cut for more flexible application
- Mini cut uniting up to 8.33mm
- Parameter matches with traditional ones, better for stock management
- Self-encapsulated design offers 6 optional 2300-6000K white lights
- With life span over 60000H
- Ta: -25~40°C; Tc: 75°C(max)



[Dimension]

Input voltage: DC24V
 CRI: 90
 Max.power: 10.56W(1m) 5.28W(1m)
 Power range: 8.64~10.56W(1m)
 4.32~5.28W(1m)
 Rated current: 0.4A(1m) 0.2A(1m)
 Typical Power: 4.8W(1m)
 tape IP: IP20/IP67
 On-off times: 10000 (test times)
 Warranty: 5years

Max.length: 5000mm(16.4')
 Cutting unit: 1leds/8.33mm(0.33")
 LED pitch: 8.33mm(0.33")
 Min. bend diameter: 60mm(2.36")
 Mounting: 3M tape
 Copper foil: 3oz



[Photo-electric Parameters]

CRI	Color	CCT	Lumen(lm/m)	Lumen(lm/ft)	lm/W	ErP 2019
Ra>90(4.8W)	SW	2700K	570	173	120	F
Ra>90(4.8W)	WW	3000K	620	189	130	E
Ra>90(4.8W)	PW	3500K	650	198	135	E
Ra>90(4.8W)	NW	4000K	670	204	140	E
Ra>90(4.8W)	W	6000K	640	195	134	E

- 1.The tolerance of output data can be vary up to 15%.
- 2.the output data tested according to IES TM-30-15.
- 3.the output data is based on IP20/1mterter, data of 5m in only for reference.
- 4.IP protection process leads changes to size, CCT and luminous flux.

[Electronic & output data]

IP Process	Picture	Picture description	Size	lumen output rate
NO		No proof	8mm*1.5mm	100%
ET		Extrusion tube	10mm*4.8mm	88%

STRIPLED

CR8160

24V-8mm



[General description]

- Reel to reel process, no soldering joint.
- 24V single LED per cut for more flexible application
- Mini cut uniting up to 6.25mm
- Parameter matches with traditional ones, better for stock management
- Self-encapsulated design offers 6 optional 2300-6000K white lights
- With life span over 60000H
- Ta: -25~40°C; Tc: 75°C(max)

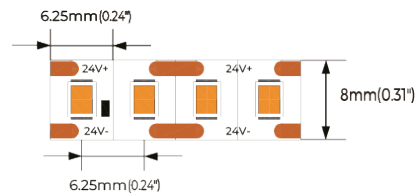


STRIPLED

[Dimension]

Input voltage: DC24V
 CRI: 90
 Max.power: 15.84W(1m) 10.56W(1m)
 Power range: 12.96~15.84W(1m)
 8.64~10.56W(1m)
 Rated current: 0.6A(1m) 0.4A(1m)
 Typical Power: 9.6W(1m)
 tape IP: IP20/IP67
 On-off times: 10000 (test times)
 Warranty: 5years

Max.length: 5000mm(16.4')
 Cutting unit: 1leds/6.25mm(0.24")
 LED pitch: 6.25mm(0.24")
 Min. bend diameter: 60mm(2.36")
 Mounting: 3M tape
 Copper foil: 3oz



[Photo-electric Parameters]

CRI	Color	CCT	Lumen(lm/m)	Lumen(lm/ft)	lm/W	ErP 2019
Ra>90(9.6W)	SW	2700K	1100	335	117	F
Ra>90(9.6W)	WW	3000K	1220	371	127	E
Ra>90(9.6W)	PW	3500K	1250	381	130	E
Ra>90(9.6W)	NW	4000K	1300	396	136	E
Ra>90(9.6W)	W	6000K	1260	384	131	E

- 1.The tolerance of output data can be vary up to 15%.
- 2.the output data tested according to IES TM-30-15.
- 3.the output data is based on IP20/1mterter, data of 5m in only for reference.
- 4.IP protection process leads changes to size, CCT and luminous flux.

[Electronic & output data]

IP Process	Picture	Picture description	Size	lumen output rate
NO		No proof	8mm*1.5mm	100%
ET		Extrusion tube	10mm*4.8mm	88%

C8200

24V-8mm



STRIPLED

[General description]

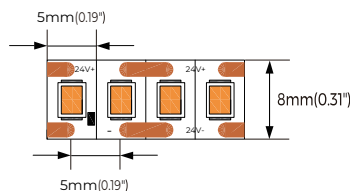
- 24V single LED per cut for more flexible application
- Mini cutting unit up to 5mm
- Parameter matches with traditional ones, better for stock management
- Self-encapsulated design offers 6 optional 2300-6000K white lights
- With life span over 60000H
- Ta: -25~40°C; Tc: 75°C(max)



[Dimension]

Input voltage: DC24V
 CRI: 90
 Max.power: 18.48W(1m)
 Power range: 15.12~18.48W(1m)
 Rated current: 0.7A(1m)
 Typical Power: 16.8W(1m)
 tape IP: IP20/IP67
 On-off times: 10000 (test times)
 Warranty: 5years

Max.length: 5000mm(16.4')
 Cutting unit: 1leds/5mm(0.19")
 LED pitch: 8.33mm(0.33")
 Min. bend diameter: 60mm(2.36")
 Mounting: 3M tape
 Copper foil: 3oz



[Photo-electric Parameters]

CRI	Color	CCT	Lumen(lm/m)	Lumen(lm/ft)	lm/W	ErP 2019
Ra>90	SW	2700K	1900	579	113	F
Ra>90	WW	3000K	2070	631	123	E
Ra>90	PW	3500K	2100	640	125	E
Ra>90	NW	4000K	2220	676	132	E
Ra>90	W	6000K	2130	649	127	E

- 1.The tolerance of output data can be vary up to 15%.
- 2.the output data tested according to IES TM-30-15.
- 3.the output data is based on IP20/1meter, data of 5m in only for reference.
- 4.IP protection process leads changes to size, CCT and luminous flux.

[Electronic & output data]

IP Process	Picture	Picture description	Size	lumen output rate
NO	NO/IP20	No proof	8mm*1.5mm	100%
ET	ET/IP67	Extrusion tube	10mm*4.8mm	88%

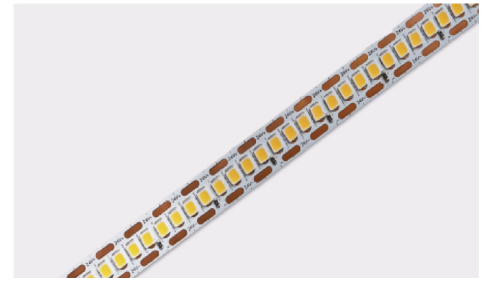
C8240

24V-10mm



[General description]

- 24V single LED per cut for more flexible application
- Mini cut unitting up to 4.17mm
- Parameter matches with traditional ones,better for stock management
- Self-encapsulated design offers 6 optional 2300-6000K white lights
- With life span over 60000H
- Ta: -25~40°C; Tc: 75°C(max)



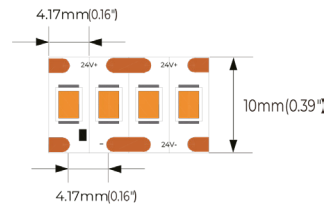
STRIPLED



[Dimension]

Input voltage: DC24V
 CRI: 90
 Max.power: 24.4W(1m)
 Power range: 19.8~24.2W(1m)
 Rated current: 0.92A(1m)
 Typical Power: 22W(1m)
 tape IP: IP20
 On-off times: 10000 (test times)
 Warranty: 5years

Max.length: 5000mm(16.4')
 Cutting unit: 1leds/4.17mm(0.16")
 LED pitch: 4.17mm(0.16")
 Min. bend diameter: 60mm(2.36")
 Mounting: 3M tape
 Copper foil: 3oz



[Photo-electric Parameters]

CRI	Color	CCT	Lumen(lm/m)	Lumen(lm/ft)	lm/W	ErP 2019
Ra>90	SW	2700K	2490	759	113	F
Ra>90	WW	3000K	2700	823	123	E
Ra>90	PW	3500K	2750	838	125	E
Ra>90	NW	4000K	2900	884	132	E
Ra>90	W	6000K	2800	853	127	E

- 1.The tolerance of output data can be vary up to 15%.
- 2.the output data tested according to IES TM-30-15.
- 3.the output data is based on IP20/1mterter, data of 5m in only for reference.
- 4.IP protection process leads changes to size, CCT and luminous flux.

[Electronic & output data]

IP Process	Picture	Picture description	Size	lumen output rate
NO		No proof	8mm*1.5mm	100%

D8160

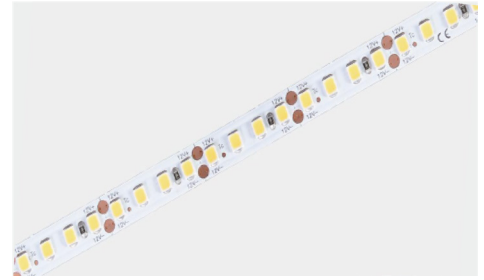
24V-8mm-12W



STRIPLED

[General description]

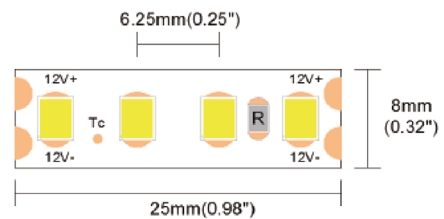
- Luminance efficiency up to 130LM/W
- Self-encapsulated design offers eight optional 1900-6000K white lights
- With life span over 60000H
- Ta: -25~40°C; Tc: 75°C (max)



[Dimension]

Input voltage: DC24V
 CRI: 80/90/95
 Max.power: 12W(1m)
 Power range: 9.7~12W(1m)
 Rated current: 0.9A(1m) 3.96A(5m)
 Typical Power: 10.8W(1m) /47.5W(5m)
 tape IP: IP20/IP67
 On-off times: 10000 (test times)
 Warranty: 5years
 (Warranty is based on indoor use)

Max.length: 5000mm(16.4')
 Cutting unit: 8leds/50mm(1.97")
 LED pitch: 6.25mm(0.25")
 Min. bend diameter: 60mm(2.36")
 Mounting: 3M tape
 Copper foil: 3oz



[Photo-electric Parameters]

CRI	Color	CCT	Lumen(lm/m)	Lumen(lm/ft)	lm/W	ErP 2019
Ra>80(12W)	SW	2700K	1160	353	116	F
Ra>80(12W)	WW	3000K	1220	371	122	E
Ra>80(12W)	PW	3500K	1240	378	124	E
Ra>80(12W)	NW	4000K	1270	387	127	E
Ra>80(12W)	W	6000K	1220	371	122	E

- 1.The tolerance of output data can be vary up to 15%.
- 2.the output data tested according to IES TM-30-15.
- 3.the output data is based on IP20/1merter, data of 5m in only for reference.
- 4.IP protection process leads changes to size, CCT and luminous flux.

[Electronic & output data]

IP Process	Picture	Picture description	Size	lumen output rate
NO	NO/IP20	No proof	8mm*1.5mm	100%
ET	ET/IP67	Extrusion tube	10mm*4.8mm	88%

D8160

24V-5mm-11W



[General description]

- Super slim width with board width only 5mm, High quality FPC, high thermal 3M adhesive
- Self-encapsulated design offers 8 optional 2700-6000K white lights
- With life span over 60000H
- Ta: -25~40°C; Tc: 75°C(max)

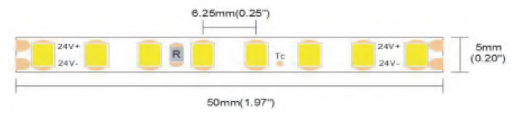


STRIPLED

[Dimension]

Input voltage: DC24V
 CRI: >90
 Max.power: 11W(1m)
 Power range: 8.2~11W(1m)
 Rated current: 0.4A(1m) 1.6A(5m)
 Typical Power: 9.6W(1m) 38.4W(5m)
 tape IP: IP20
 On-off times: 10000 (test times)
 Warranty: 5years

Max.length: 5000mm(16.4')
 Cutting unit: 8leds/50mm(1.97")
 LED pitch: 6.25mm(0.25")
 Min. bend diameter: 60mm(2.36")
 Mounting: 3M tape
 Copper foil: 3oz



[Photo-electric Parameters]

CRI	Color	CCT	Lumen(lm/m)	Lumen(lm/ft)	lm/W	ErP 2019
Ra>90(11W)	SW	2700K	1190	363	124	F
Ra>90(11W)	WW	3000K	1250	381	130	E
Ra>90(11W)	PW	3500K	1265	386	132	E
Ra>90(11W)	NW	4000K	1300	243	135	E
Ra>90(11W)	W	6000K	1250	381	130	E

- 1.The tolerance of output data can be vary up to 15%.
- 2.the output data tested according to IES TM-30-15.
- 3.the output data is based on IP20/1mterter, data of 5m in only for reference.
- 4.IP protection process leads changes to size, CCT and luminous flux.

[Electronic & output data]

IP Process	Picture	Picture description	Size	lumen output rate
NO		No proof	8mm*1.5mm	100%

D560RGB

24V-10mm



[General description]

- RGB colorful strip
- 5050 LED with broader luminous surface
- Widely adaptable to all types of controllers, Self-encapsulated design
- High quality FPC, high thermal 3M adhesive
- With life span over 60000H
- Ta: -25~40°C; Tc: 75°C(max)



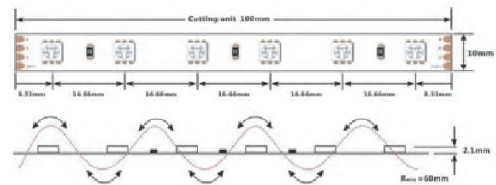
[Dimension]

Input voltage: DC24V
CRI: >0

Max.power: 14.4W(1m)
Power range: 11.5~14.4W(1m)
Rated current: 0.52A(1m) /2.22A(5m)
Typical Power: 12.5W(1m) /53.3(5m)
tape IP: IP20/IP67

On-off times: 10000 (test times)
Warranty: 5years

Max.length: 5000mm(16.4')
Cutting unit: 6leds/100mm
LED pitch: 16.66mm
Min. bend diameter: 60mm(2.36")
Mounting: 3M tape
Copper foil: 3oz



[Photo-electric Parameters]

CRI	Color	Wavelength	Lumen(lm/m)	lm/W	Energy efficiency class
0	Red	625	108	/	/
0	Green	525	279	/	/
0	Blue	470	55	/	/
0	RGB	/	416	/	/

- 1.The tolerance of output data can be vary up to 15%.
- 2.the output data tested according to IES TM-30-15.
- 3.the output data is based on IP20/1mterter, data of 5m in only for reference.
- 4.IP protection process leads changes to size, CCT and luminous flux.

[Electronic & output data]

IP Process	Picture	Picture description	Size	lumen output rate
NO	 NO/IP20	No proof	8mm*1.5mm	100%
ET	 ET/IP67	Extrusion tube	10mm*4.8mm	88%

D560RGBW

24V-12mm



[General description]

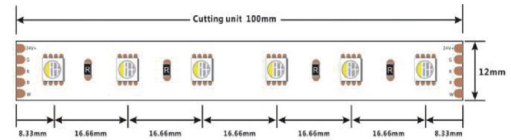
- RGBW colorful strip
- Widely adaptable to all types of controllers, Self-encapsulated design
- High quality FPC, high thermal 3M adhesive
- Ta: -25~40°C; Tc: 75°C(max)



STRIPLED

[Dimension]

- Input voltage: DC24V
- CRI: /
- Max.power: 19.2W(1m)
- Power range: 15.4~19.2W(1m)
- Rated current: 0.7A(1m) /2.91A(5m)
- Typical Power: 16.8W(1m) /68.84(5m)
- tape IP: IP20
- On-off times: 10000 (test times)
- Warranty: 5years
- Max.length: 5000mm(16.4')
- Cutting unit: 6leds/100mm
- LED pitch: 16.66mm
- Min. bend diameter: 60mm(2.36")
- Mounting: 3M tape
- Copper foil: 3oz



[Photo-electric Parameters]

CRI	Color	CCT	Lumen(lm/m)	Lumen(lm/ft)	lm/W	ErP 2019
80	WW	3000K	410	125	98	G
80	NW	4000K	410	125	98	G
80	W	6000K	385	117	92	G
/	R	R:620-625nm	85	25	/	/
/	G	G:520-525nm	205	62	/	/
/	B	B:455-460nm	65	19	/	/
/	RGBW	/	700	213	/	/

- 1.The tolerance of output data can be vary up to 15%.
- 2.the output data tested according to IES TM-30-15.
- 3.the output data is based on IP20/1merter, data of 5m in only for reference.
- 4.IP protection process leads changes to size, CCT and luminous flux.

[Electronic & output data]

IP Process	Picture	Picture description	Size	lumen output rate
NO		No proof	8mm*1.5mm	100%

DA168RGB

24V-10mm



[General description]

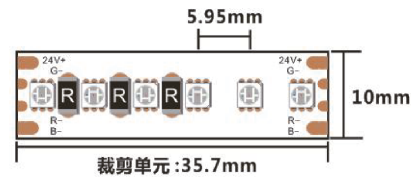
- RGB colorful strip
- Widely adaptable to all types of controllers
- High quality FPC, high thermal 3M adhesive
- Ta: -25~40°C; Tc: 75°C(max)



[Dimension]

Input voltage: DC24V
 CRI: /
 Max.power: 17.3W(1m)
 Power range: 14.3~17.3W(1m)
 Rated current: 0.654A(1m) 3A(5m)
 Typical Power: 15.7W(1m) 72(5m)
 tape IP: IP20
 On-off times: 10000 (test times)
 Warranty: 5years
 (Warranty is based on indoor use)

Max.length: 5000mm(16.4')
 Cutting unit: 6leds/35.7mm(1.41")
 LED pitch: 5.95mm(0.23")
 Min. bend diameter: 60mm(2.36")
 Mounting: 3M tape
 Copper foil: 3oz



[Photo-electric Parameters]

CRI	Color	CCT	Lumen(lm/m)	Lumen(lm/ft)	lm/W
/	R	R:620-625nm	110	33	21
/	G	G:520-525NM	375	114	66
/	B	B:455-460nm	90	27	17
/	RGB	/	530	161	34

- 1.The tolerance of output data can be vary up to 15%.
- 2.the output data tested according to IES TM-30-15.
- 3.the output data is based on IP20/lmterter, data of 5m in only for reference.
- 4.IP protection process leads changes to size, CCT and luminous flux.

[Electronic & output data]

IP Process	Picture	Picture description	Size	lumen output rate
NO		No proof	8mm*1.5mm	100%

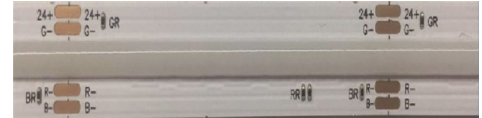
DF4RGB

24V-10mm



[General description]

- Super-dense LED distribution of 840 LED/m and ultraslim thickness of 1.6mm, matching profiles better
- With life span over 36000H
- Ta: -25~40°C; Tc: 75°C(max)

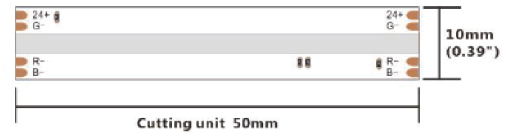


STRIPLED

[Dimension]

Input voltage: DC24V
 CRI: /
 Max.power: 16.8W(1m)
 Power range: 13.2~16.8W(1m)
 Rated current: 0.63A(1m) 2.6A(5m)
 Typical Power: 15W(1m) 62.4(5m)
 tape IP: IP20
 On-off times: 10000 (test times)
 Warranty: 5years
 (Warranty is based on indoor use)

Max.length: 5000mm(16.4')
 Cutting unit: 50mm(1.97")
 LED pitch: /
 Min. bend diameter: 60mm(2.36")
 Mounting: 3M tape
 Copper foil: 3oz



[Photo-electric Parameters]

CRI	Color	CCT	Lumen(lm/m)	Lumen(lm/ft)	lm/W	ErP 2019
/	RGB	/	720	219	48	/
/	R	R:620-625nm	125	38	25	/
/	G	G:520-525nm	495	150	99	/
/	B	B:455-460nm	70	21	14	/

- 1.The tolerance of output data can be vary up to 15%.
- 2.the output data tested according to IES TM-30-15.
- 3.the output data is based on IP20/lmterter, data of 5m in only for reference.
- 4.IP protection process leads changes to size, CCT and luminous flux.

[Electronic & output data]

IP Process	Picture	Picture description	Size	lumen output rate
NO		No proof	8mm*1.5mm	100%

DP4RGB

24V-10mm



[General description]

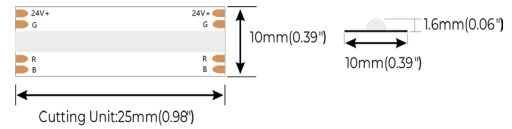
- Linear RGB light bar without light spot, large light-emitting angle
- Widely adapted to various controllers
- High quality FPC, high thermal conductivity 3M glue
- Ta: -25~40°C; Tc: 75°C(max)



[Dimension]

Input voltage: DC24V
 CRI: /
 Max.power: 16.8W(1m)
 Power range: 12.2~16.8W(1m)
 Rated current: 0.6A(1m) 2.63A(5m)
 Typical Power: 14.4W(1m) 63W(5m)
 tape IP: IP20/IP67
 On-off times: 10000 (test times)
 Warranty: 5years
 (Warranty is based on indoor use)

Max.length: 5000mm(16.4')
 Cutting unit: 25mm(0.98")
 LED pitch: /
 Min. bend diameter: 60mm(2.36")
 Mounting: 3M tape
 Copper foil: 3oz





[Photo-electric Parameters]

CRI	Color	CCT	Lumen(lm/m)	Lumen(lm/ft)	lm/W
/	R	R:620-630nm	95	28	20
/	G	G:520-535NM	250	76	56
/	B	B:455-460nm	85	25	18
/	RGB	RGB	460	140	32

- 1.The tolerance of output data can be vary up to 15%.
- 2.the output data tested according to IES TM-30-15.
- 3.the output data is based on IP20/1mreter, data of 5m in only for reference.
- 4.IP protection process leads changes to size, CCT and luminous flux.

[Electronic & output data]

IP Process	Picture	Picture description	Size	lumen output rate
NO		No proof	8mm*1.5mm	100%
ET		Extrusion tube	10mm*4.8mm	88%

D8120 ECO series

12V-8mm



[General description]

- Self-encapsulated design offers eight optional 2700-6000K white lights
- High quality PFC, high thermal 3M adhesive
- With life span over 60000H
- Ta: -25~40°C; Tc: 75°C(max)



STRIPLED

[Dimension]

Input voltage: DC12V
CRI: >80

Max.power: 14.4W(1m)

Power range: 12.5~14.4W(1m)

Rated current: 0.63A(1m) 2.6A(5m)

Typical Power: 13.5W(1m) 59.6W(5m)

tape IP: IP20/IP67

On-off times: 10000 (test times)

Warranty: 5years

Max.length: 5000mm

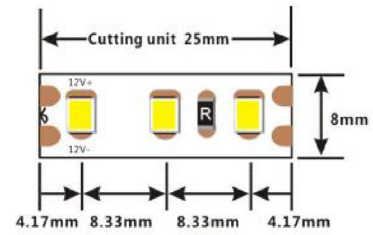
Cutting unit: 3leds/25mm

LED pitch: 8.33mm

Min. bend diameter: 60mm(2.36")

Mounting: 3M tape

Copper foil: 3oz



[Photo-electric Parameters]

CRI	Color	CCT	Lumen(lm/m)	lm/W	ErP 2019
Ra>80	SW	2700K	1380	101	/
Ra>80	WW	3000K	1450	106	/
Ra>80	NW	4000K	1450	106	/
Ra>80	W	6000K	1450	106	/

1.The tolerance of output data can be vary up to 15%.

2.the output data tested according to IES TM-30-15.

3.the output data is based on IP20/1mterter, data of 5m in only for reference.

4.IP protection process leads changes to size, CCT and luminous flux.

[Electronic & output data]

IP Process	Picture	Picture description	Size	lumen output rate
NO		No proof	8mm*1.5mm	100%
ET		Extrusion tube	10mm*4.8mm	88%

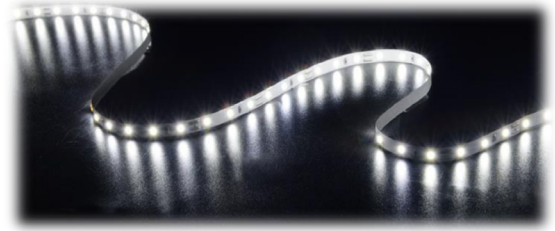
DJ120 ECO series

12V-8mm



[General description]

- Reel without soldering joint, high cost effective
- CE certificated



STRIPLED

[Dimension]

Input voltage: DC12V

CRI: 80

Max.power: 9.6W

Power range: 8~9.6W(1m)

Rated current: 0.73A(1m) 2.79A(5m)

Typical Power: 8.8W(1m) 33.5W(5m)

tape IP: IP20

On-off times: 10000 (test times)

Warranty: 5years

Max.length: 5000mm

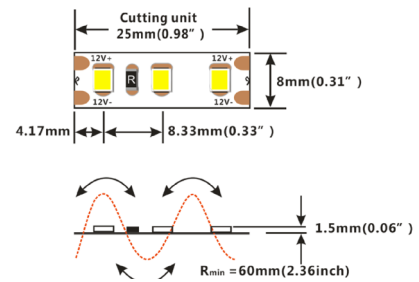
Cutting unit: 3leds/25mm

LED pitch: 8.33mm

Min. bend diameter: 60mm(2.36")

Mounting: 3M tape

Copper foil: 3oz



[Photo-electric Parameters]

CRI	Color	CCT	Lumen(lm/m)	lm/W	ErP 2019
Ra>80	SW	2700K	900	93	/
Ra>80	WW	3000K	960	100	/
Ra>80	NW	4000K	1040	112	/
Ra>80	W	6000K	1000	104	/

1.The tolerance of output data can be vary up to 15%.

2.the output data tested according to IES TM-30-15.

3.the output data is based on IP20/lmmerter, data of 5m in only for reference.

4.IP protection process leads changes to size, CCT and luminous flux.

[Electronic & output data]

IP Process	Picture	Picture description	Size	lumen output rate
NO		No proof	8mm*1.5mm	100%

DJ120 ECO series

24V-8mm



[General description]

- Reel without soldering joint, high cost effective
- CE certificated

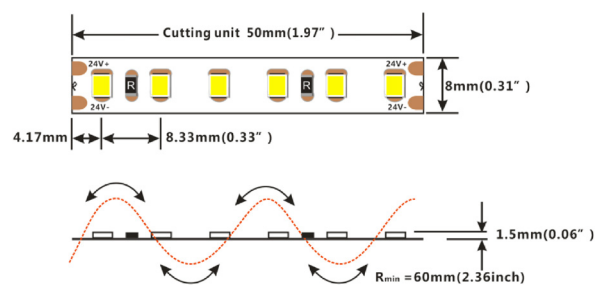


STRIPLED

[Dimension]

Input voltage: DC12V
 CRI: 80
 Max.power: 9.6W
 Power range: 8~9.6W
 Rated current: 0.37A(1m) /1.79A(5m)
 Typical Power: 8.8W(1m) 43W(5m)
 tape IP: IP20
 On-off times: 10000 (test times)
 Warranty: 5years

Max.length: 5000mm
 Cutting unit: 6leds/50mm(1.97")
 LED pitch: 8.33mm
 Min. bend diameter: 60mm(2.36")
 Mounting: 3M tape
 Copper foil: 3oz



[Photo-electric Parameters]

CRI	Color	CCT	Lumen(lm/m)	lm/W	ErP 2019
Ra>80	SW	2700K	900	93	/
Ra>80	WW	3000K	960	100	/
Ra>80	NW	4000K	1040	112	/
Ra>80	W	6000K	1000	104	/

- 1.The tolerance of output data can be vary up to 15%.
- 2.the output data tested according to IES TM-30-15.
- 3.the output data is based on IP20/1mterter, data of 5m in only for reference.
- 4.IP protection process leads changes to size, CCT and luminous flux.

[Electronic & output data]

IP Process	Picture	Picture description	Size	lumen output rate
NO		No proof	8mm*1.5mm	100%



FLEXLED

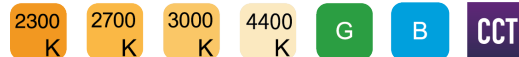
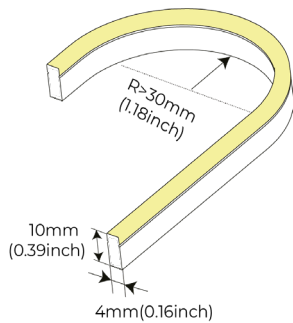
+ 12V WW

NMS0410



[Features]

- Light source: High luminous efficiency, LM80 test proved.
- Process & Material: High light transmittance, environmental silicone material, integrated extrusion molding technology, IP65.
- Optical Design: Unique optical light distribution structure design, uniform lighting surface and no shadow.
- Appearance Design: Compared with the traditional neon tube or PVC guardrail tube, the silicone material has good flexibility, the simple and stylish appearance, which is exquisite and unique.
- Product Certification: UL, CE, ROHS, UCKA, CB.
- Environmental Features: Resistance to saline solutions, acids & alkali, corrosive gases and UV.
- Working/Storage Temperature: Ta: -30~55°C / 0°C~60°C.
- Application: Signage lighting, Outdoor/indoor lighting
- White/G/B/CCT with 3 years warranty or working life =36000H, whichever comes first.



[Photo-electric Parameters]

Model	CCT	CRI	Input voltage	Rated current	Rated power	Max Power	Lumens	Remark
NMS0410-9XXXXC-SN050CC0500	2300K	>90	12V	0.6 (0.18A/ft)	7.2 (2.19W/ft)	7.9 (2.41W/ft)	240 (73LM/ft)	3LED/17.86mm (12V)
	2700K							
	3000K							
	4000K						270 (82LM/ft)	

Note:

- 1) The above data is the testing result of 1M standard product;
- 2) The lumens of output data can be vary up to ±10%;
- 3) The above parameters are all typical values.

FLEXLED

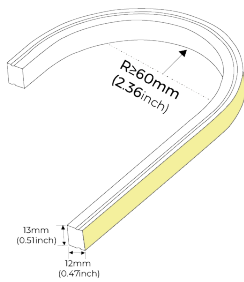
NMT1312



[Features]

- Light source: high luminous efficiency LED lamp beads, LM80 test certification;
- Process material: three-color silicone extrusion technique is applied, Cutting mark more clear;
- Optical design: unique optical light distribution structure design, uniform light emission on the surface without shadows;
- Appearance design: Standard ESD oil spray, anti-dust; good flexibility, simple shape, exquisite and unique;
- Product certification: UL, CE, ROHS, UACK, CB;
- Environmental characteristics: salt solution resistance, acid and alkali corrosion resistance, flame retardant resistance, UV resistance;
- Working/storage temperature: Ta: -25~55°C / 0°C~60°C;
- Symphony working/storage temperature: Ta: -20~40°C / 0°C~60°C;
- Product application: signboard lighting, outdoor/internal decorative lighting, architectural contour application;
- White 5 year warranty, 48V/C/B/CCT/RGB/RGBW with 3 years warranty or working life =36000H, whichever comes first; SPI/DMX512 with warranty 2 years or working life=20000H, whichever comes first.

FLEXLED



Note: White/CCT/RGB/RGBW light bending radius R≥60mm(2.36inch), SPI/DMX bending radius R≥80mm(2.6inch)



[Photo-electric Parameters]

Model	CCT	CRI	Input voltage	Rated current	Rated power	Max Power	Lumens	Remark
NMT1312- 9XX24 CXN050XCXXX-PRO	2700K	>90	24V	0.4 (0.12A/ft)	9.6 (2.93W/ft)	10.6 (3.23W/ft)	710	7LED/50mm
	3000K						740	
	4000K						690	
	5000K						710	

Note:

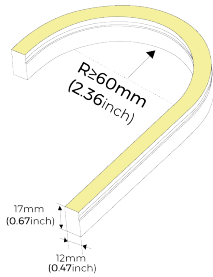
- 1) The above data is the testing result of 1M standard product;
- 2) The lumens of output data can be vary up to ±10%;
- 3) The above parameters are all typical values.

NMS1217



[Features]

- Light source: high luminous efficiency LED lamp beads, LM80 test certification;
- Process material: three-color silicone extrusion technique is applied, Cutting mark more clear;
- Optical design: unique optical light distribution structure design, uniform light emission on the surface without shadows;
- Appearance design: Standard ESD oil spray, anti-dust; good flexibility, simple shape, exquisite and unique;
- Product certification: UL, CE, ROHS, UACK, CB;
- Environmental characteristics: salt solution resistance, acid and alkali corrosion resistance, flame retardant resistance, UV resistance;
- Working/storage temperature: Ta: -25~55°C / 0°C~60°C;
- Symphony working/storage temperature: Ta: -20~40°C / 0°C~60°C;
- Product application: signboard lighting, outdoor/internal decorative lighting, architectural contour application;
- White 5 year warranty, 48V/G/B/CCT/RGB/RGBW with 3 years warranty or working life =36000H, whichever comes first; SPI/DMX512 with warranty 2 years or working life=20000H, whichever comes first.



Note: White/CCT/RGB/RGBW light bending radius R≥60mm(2.36inch), SPI/DMX bending radius R≥80mm(2.6inch)



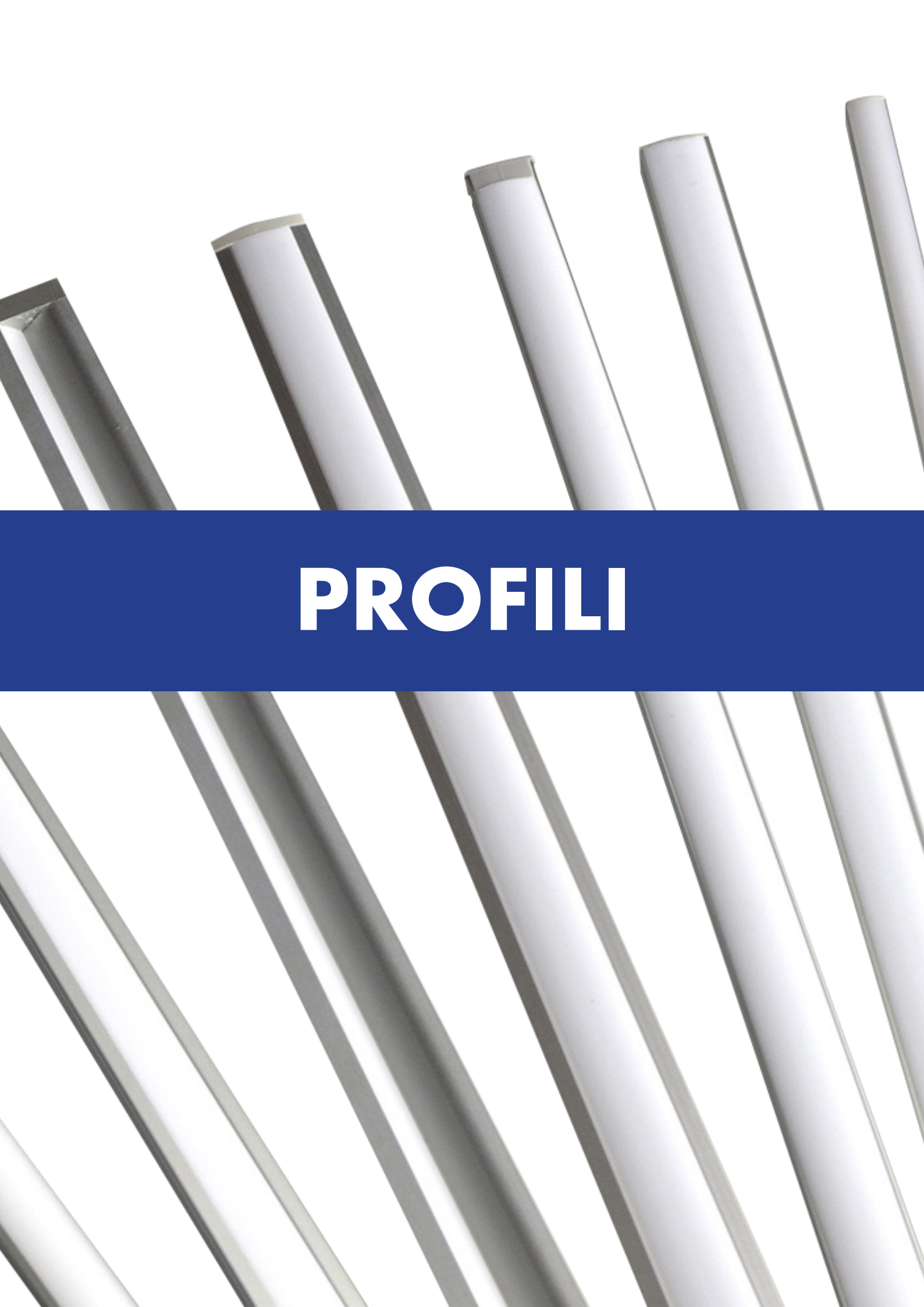
[Photo-electric Parameters]

Model	CCT	CRI	Input voltage	Rated current	Rated power	Max Power	Lumens	Remark
NMT1312- 9XX24 CXN050XCXXX-PRO	2700K	>90	24V	0.4 (0.12A/ft)	9.6 (2.93W/ft)	10.6 (3.23W/ft)	420	7LED/50mm
	3000K						470	
	4000K						440	

Note:

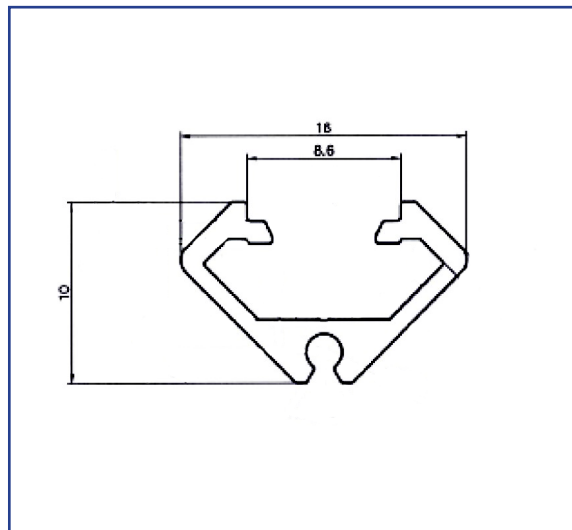
- 1) The above data is the testing result of 1M standard product;
- 2) The lumens of output data can be vary up to ±10%;
- 3) The above parameters are all typical values.

FLEXLED



PROFILI

PLA1212 **mini**



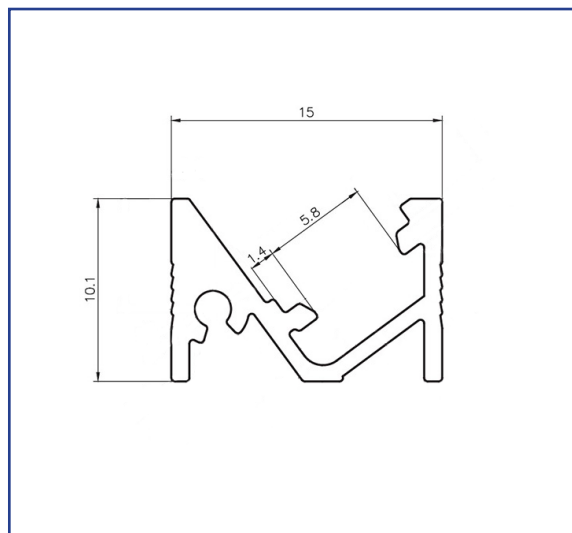
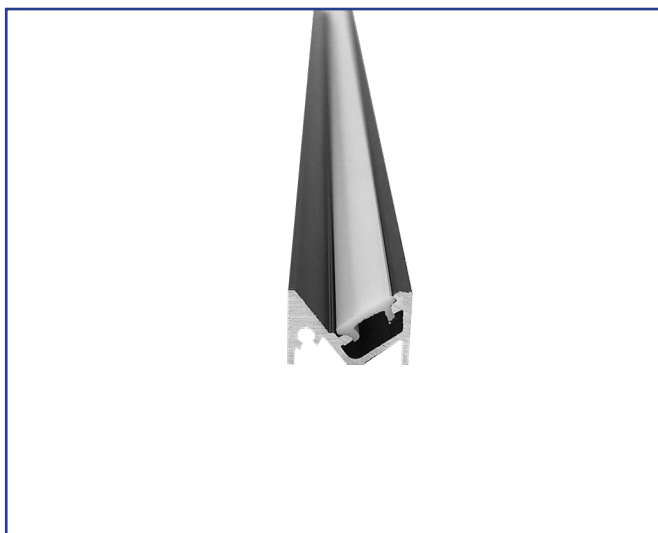
[Specifiche]

- 3000mm
- Anodizzato argento
- Anodizzato nero
- Grezzo verniciabile
- Lega Alluminio En Aw 6060 T5
- Coppia tappi forati / chiusi
- Clip fissaggio singole metallo

[Coperture Disponibili]

- 3000mm
- Opal

PLI1510 **mini**



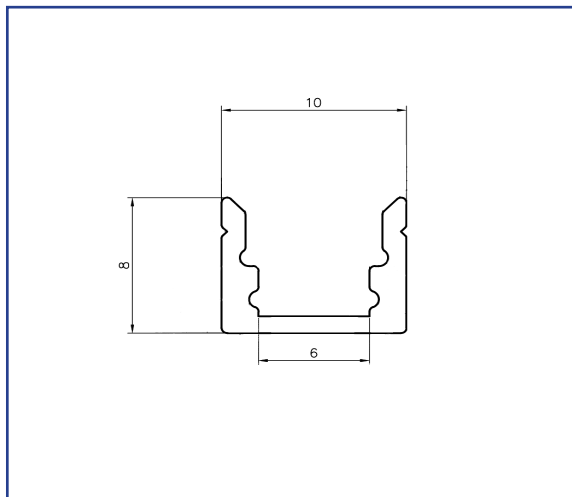
[Specifiche]

- 3000mm
- Anodizzato argento
- Anodizzato nero
- Grezzo verniciabile
- Lega Alluminio En Aw 6060 T5
- Coppia tappi forati / chiusi

[Coperture Disponibili]

- 3000mm
- Opal

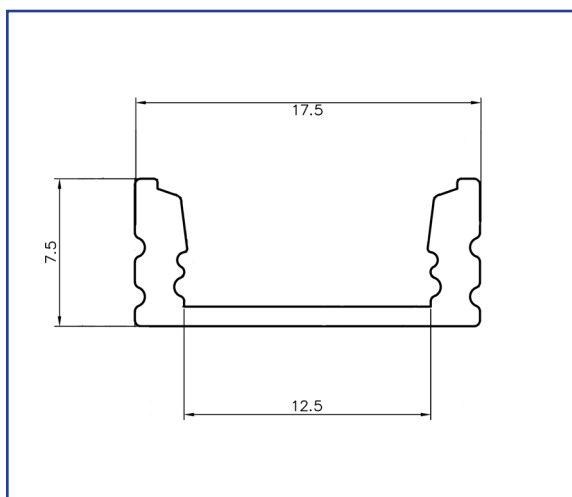
PLE1008



[Specifiche] <ul style="list-style-type: none">· 3000mm· Anodizzato argento· Lega Alluminio En Aw 6060 T5· Coppia tappi forati / chiusi· Clip fissaggio singole plastica	[Coperture Disponibili] <ul style="list-style-type: none">· 3000mm· Opal
---	--

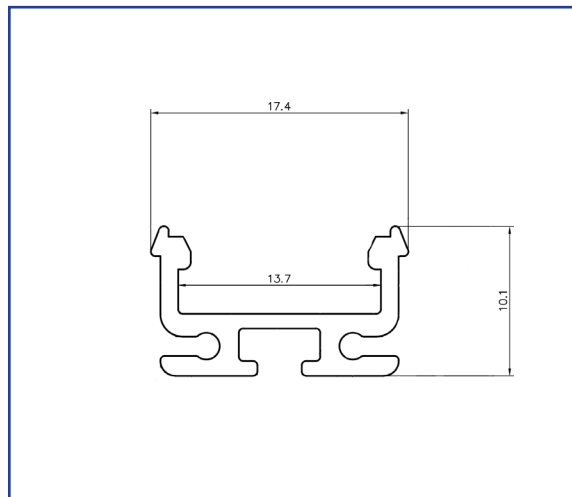
PROFILI

PLE1707



[Specifiche] <ul style="list-style-type: none">· 3000mm· Anodizzato argento· Anodizzato nero· Verniciato bianco· Lega Alluminio En Aw 6060 T5· Coppia tappi forati / chiusi· Clip fissaggio singole plastica / metallo	[Coperture Disponibili] <ul style="list-style-type: none">· 3000mm· Opal· Trasparente· Semi Trasparente
---	---

PLE1710



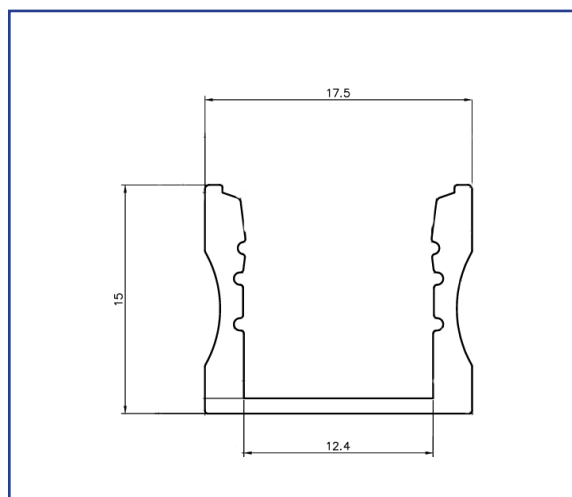
[Specifiche]

- 3000mm
- Anodizzato argento
- Lega Alluminio En Aw 6060 T5
- Coppia tappi forati / chiusi
- Clip fissaggio singole plastica

[Coperture Disponibili]

- 3000mm
- Opal
- Trasparente
- Semi Trasparente

PLE1715



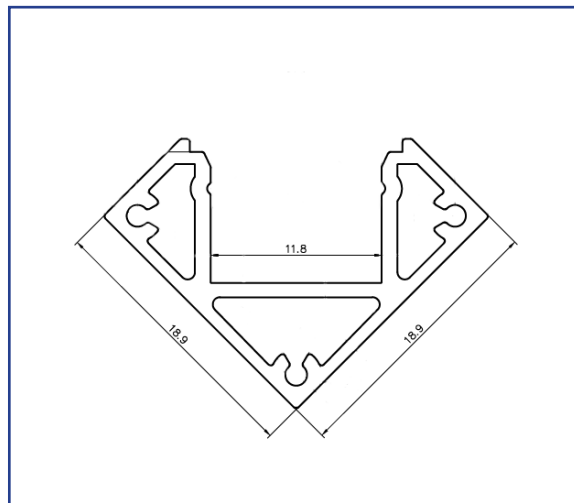
[Specifiche]

- 3000mm
- Anodizzato argento
- Lega Alluminio En Aw 6060 T5
- Coppia tappi forati / chiusi
- Clip fissaggio singole plastica / metallo

[Coperture Disponibili]

- 3000mm
- Opal
- Trasparente
- Semi Trasparente

PLA1919



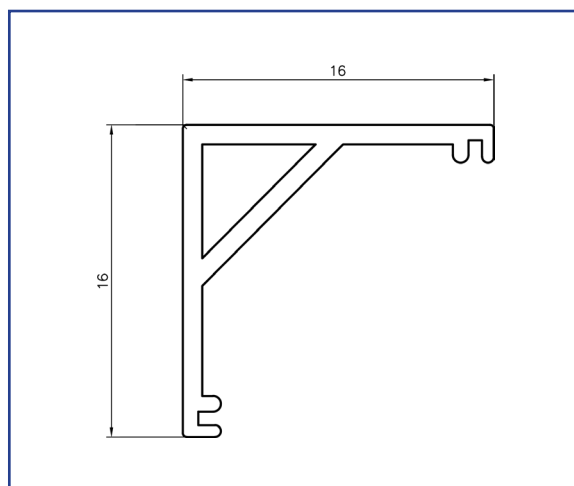
[Specifiche]

- 3000mm
- Anodizzato argento
- Lega Alluminio En Aw 6060 T5
- Coppia tappi forati / chiusi
- Clip fissaggio singole plastica

[Coperture Disponibili]

- 3000mm
- Opal
- Trasparente
- Semi Trasparente

PLA1616



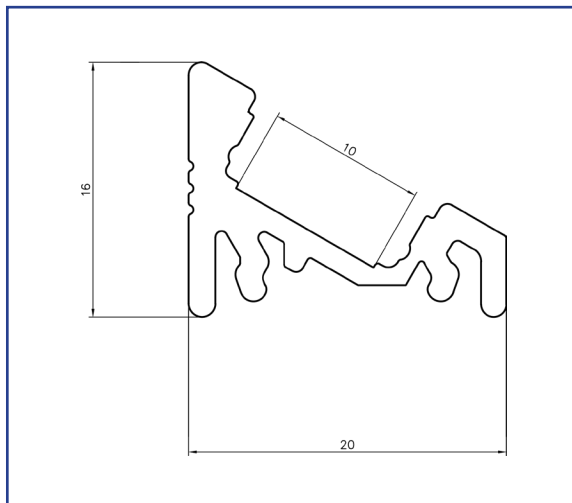
[Specifiche]

- 3000mm
- Anodizzato argento
- Lega Alluminio En Aw 6060 T5
- Coppia tappi forati / chiusi
- Clip fissaggio singole metallo

[Coperture Disponibili]

- 3000mm
- Opal
- Trasparente
- Semi Trasparente

PLA2016



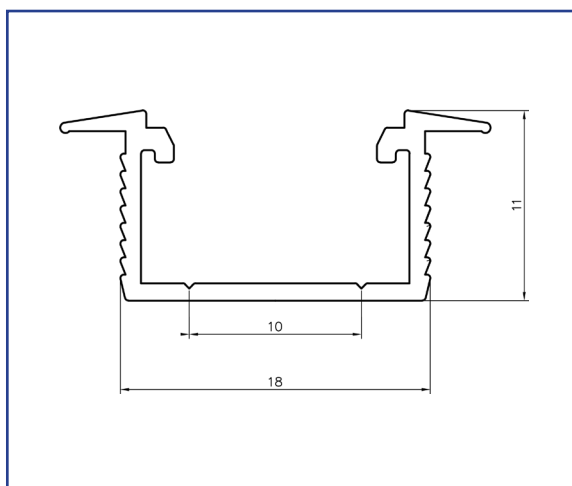
[Specifiche]

- 3000mm
- Anodizzato argento
- Lega Alluminio En Aw 6060 T5
- Coppia tappi forati / chiusi
- Clip fissaggio singole metallo

[Coperture Disponibili]

- 3000mm
- Opal
- Trasparente
- Semi Trasparente

PLI1811



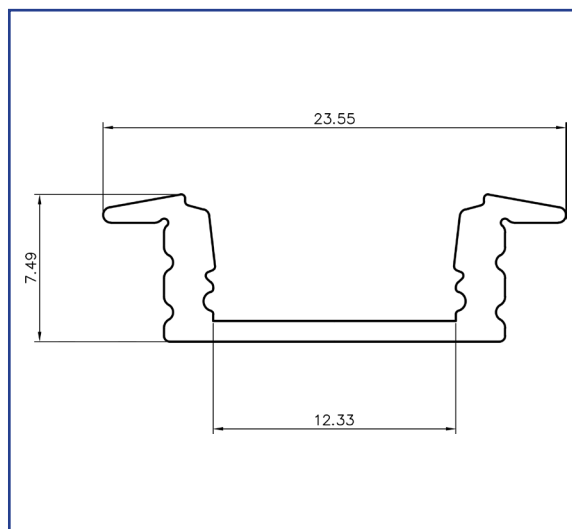
[Specifiche]

- 3000mm
- Anodizzato argento
- Lega Alluminio En Aw 6060 T5

[Coperture Disponibili]

- 3000mm
- Opal
- Trasparente
- Semi Trasparente

PLI2507



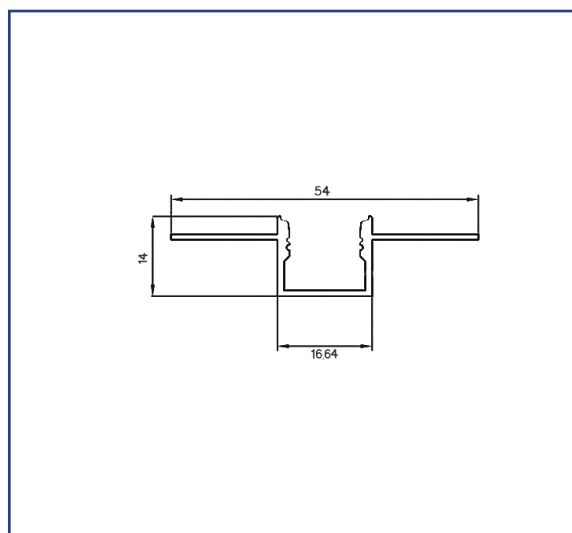
[Specifiche]

- 3000mm
- Anodizzato argento
- Lega Alluminio En Aw 6060 T5
- Coppia tappi forati / chiusi

[Coperture Disponibili]

- 3000mm
- Opal
- Trasparente
- Semi Trasparente

PLI007



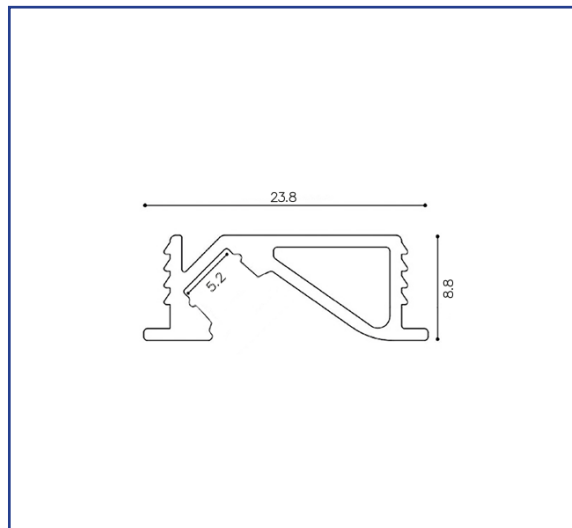
[Specifiche]

- 3000mm
- Anodizzato argento
- Lega Alluminio En Aw 6060 T5

[Coperture Disponibili]

- 3000mm
- Opal
- Trasparente
- Semi Trasparente

PLI2409



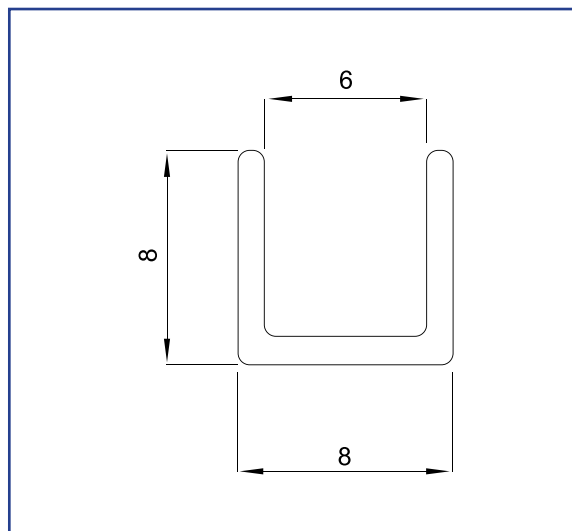
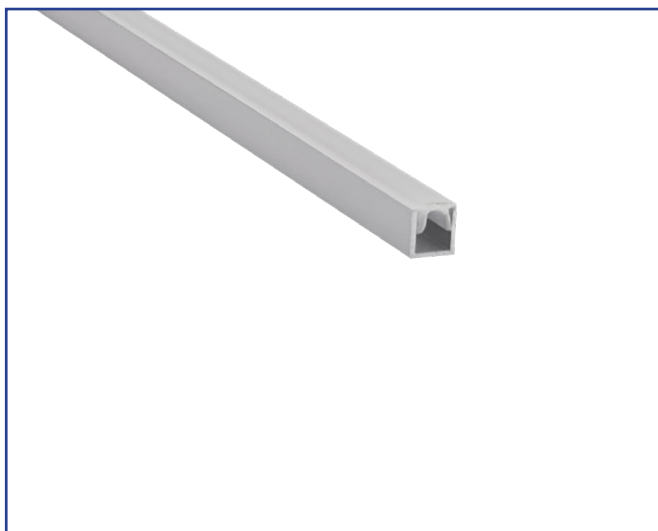
[Specifiche]

- 3000mm
- Anodizzato argento
- Lega Alluminio En Aw 6060 T5
- Coppia tappi forati / chiusi

[Coperture Disponibili]

- 3000mm
- Opal

PLI0808

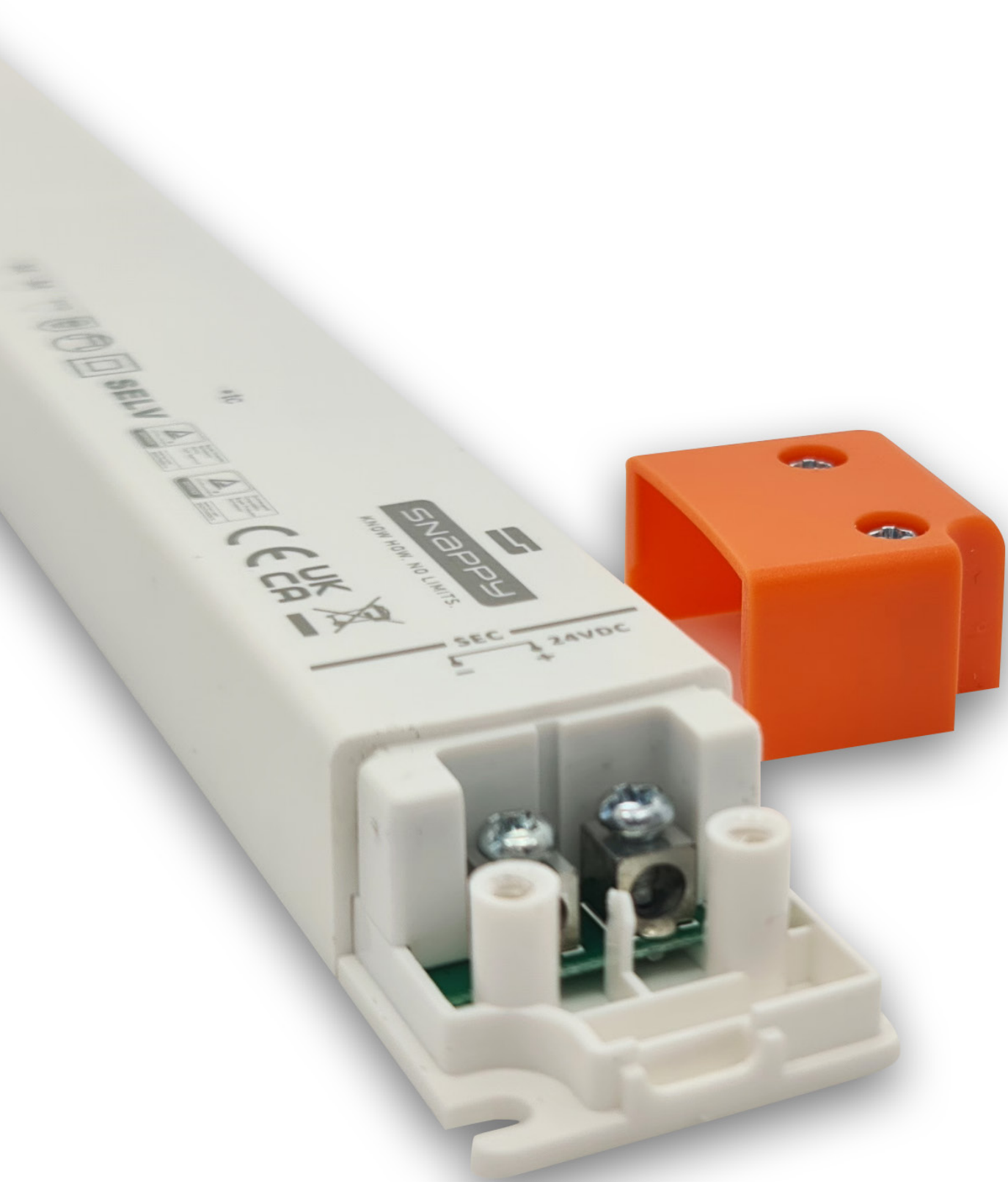


[Specifiche]

- 3000mm
- Anodizzato argento
- Lega Alluminio En Aw 6060 T5
- Coppia tappi forati / chiusi

[Coperture Disponibili]

- 3000mm
- Opal
- Trasparente
- Semi Trasparente



ALIMENTATORI LED



SERIE LPV IP67

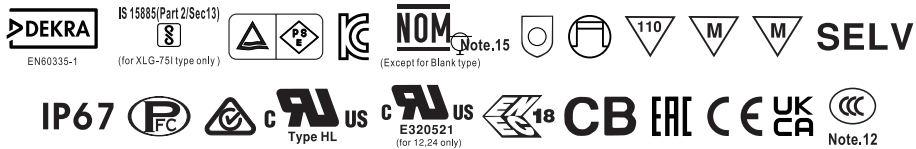
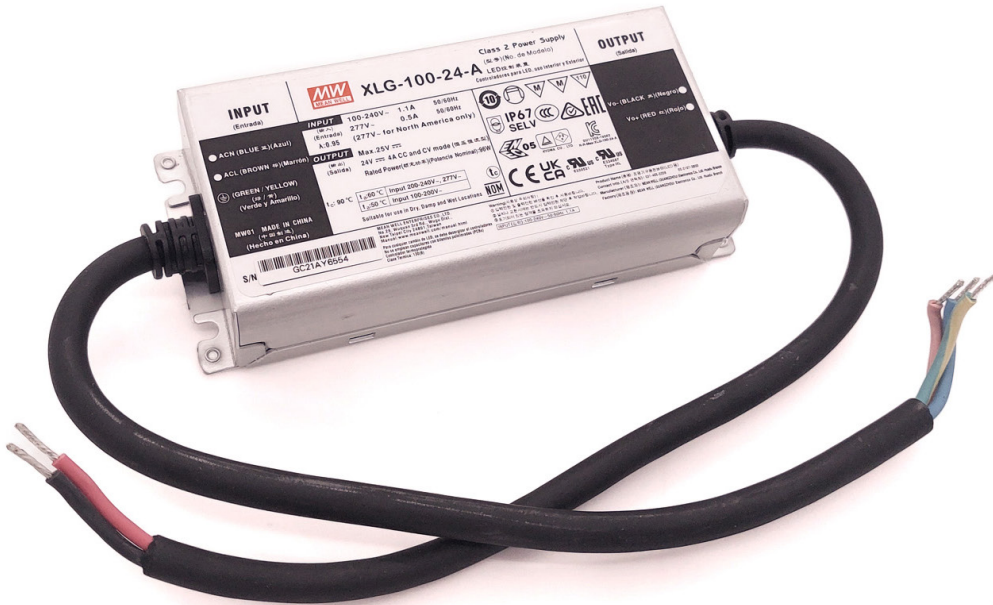


LPS IP67 (Note 12)
 IS 15885
 UL
 EAC
 CE
 UK CA
 CB

COD.	V	A	W	H	L	PROF.
LPV-20-12	12V	1.67A	20W	26mm	118mm	35mm
LPV-35-12	12V	3A	35W	30mm	148mm	40mm
LPV-60-12	12V	5A	60W	32mm	162,5mm	42,5mm
LPV-100-12	12V	8,5A	100W	37mm	190mm	52mm
LPV-150-12	12V	10A	120W	37mm	191mm	63mm
LPV-20-24	24V	0,84A	20W	26mm	118mm	35mm
LPV-35-24	24V	1,5A	35W	30mm	148mm	40mm
LPV-60-24	24V	2,5A	60W	32mm	162,5mm	42,5mm
LPV-100-24	24V	4,2A	100W	37mm	190mm	52mm
LPV-150-24	24V	6,3A	150W	37mm	191mm	63mm



SERIE XLG IP67



COD.	V	A	W	H	L	PROF.
XLG-75-121	12V	5A	60W	32mm	140mm	63mm
XLG-100-12	12V	8A	96W	32mm	140mm	63mm
XLG-150-12	12V	12,5A	150W	35,5mm	180mm	63mm
XLG-200-12	12V	16A	192W	35,5mm	199mm	63mm
XLG-75-24	24V	3,1A	75W	32mm	140mm	63mm
XLG-100-24	24V	4A	96W	32mm	140mm	63mm
XLG-150-24	24V	6,25A	150W	35,5mm	180mm	63mm
XLG-200-24	24V	8,3A	199W	35,5mm	199mm	63mm
XLG-320- V-A	12V 24V	18A 13A	216W 312W	39,5mm	246mm	77mm



SNAPPY



COD.	V	A	W	H	L	PROF.
SE15-12VF	12V	1,25A	15W	16mm	133mm	35,5mm
SE20-12VF	12V	1,67A	20W	16mm	103mm	35,5mm
SS30-12VF	12V	2,5A	35W	14,3mm	154mm	50mm
SP50-12VF	12V	4,2V	50W	18mm	159,9mm	57,8mm
SS75-12VL	12V	6,25A	75W	28,2mm	170mm	44,5mm
SE100-12VL	12V	8,33A	100W	30,6mm	179,4mm	56,2mm
SE15-24VF	24V	0,62A	15W	16mm	133mm	35,5mm
SE20-24VF	24V	0,833A	20W	16mm	103mm	35,5mm
SS30-24VF	24V	1.25A	30W	14,3mm	154mm	50mm
SP50-12VF	24V	2,08A	50W	18mm	159,9mm	57,8mm
SS75-24VL	24V	3,125A	75W	28,2mm	170mm	44,5mm
SE100-24VL	24V	4,17A	100W	31,2mm	168,8mm	65,5mm



SNAPPY

SERIE LINEARE

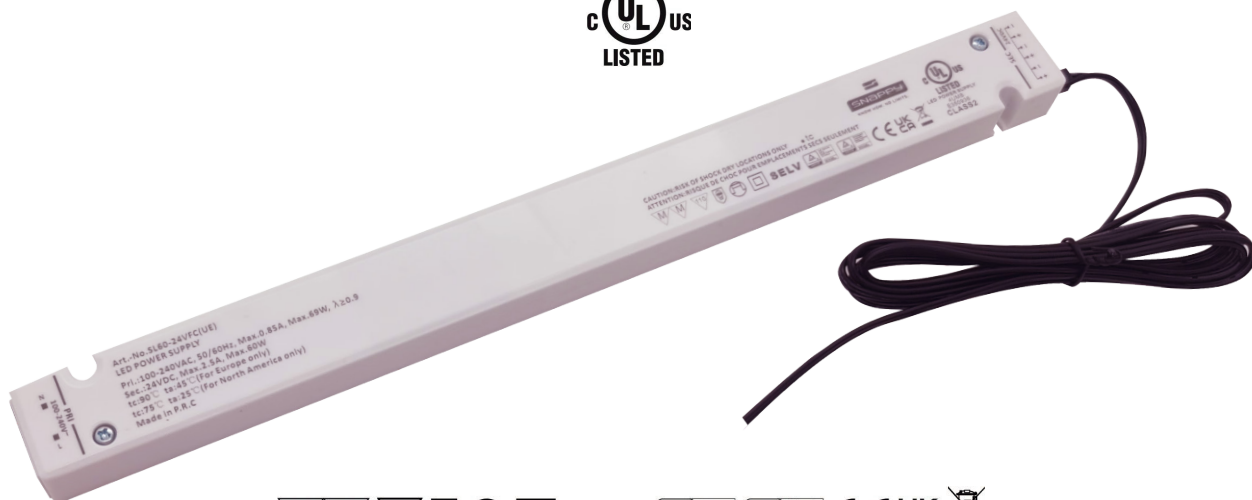


COD.	V	A	W	H	L	PROF.
SNP30-12VF	12V	2,5A	30W	16mm	251mm	30mm
SL60-12VF	12V	5A	60W	16,7mm	304,6mm	30mm
SL100-12VF	12V	8,335A	100W	18,2mm	320,mm	30mm
SL150-12VF	12V	11A	132W	18,2mm	320,6mm	30mm
SL200-12VF	12V	15A	200W	22,3mm	356,4mm	32mm
SNP30-24VF	24V	1,25A	30W	16mm	251mm	30mm
SL60-24VF	24V	2,5A	60W	16mm	251mm	30mm
SL100-24VF	24V	4,17A	100W	18,2mm	312,2mm	30mm
SL150-24VF	24V	6,25A	150W	18,2mm	320,6mm	30mm
SL200-24VF	24V	8,33A	200W	22,3mm	356,4mm	32mm



SNAPPY

SERIE HUB



CLASS2

COD.	V	A	W	H	L	PROF.
SNP30-12VF	12V	2,5A	30W	16mm	251mm	30mm
SL60-12VF	12V	5A	60W	16,7mm	304,6mm	30mm
SL100-12VF	12V	8.335A	100W	18,2mm	320,mm	30mm
SL150-12VF	12V	11A	132W	18,2mm	320,6mm	30mm



SELV **CE** **KEMA KEUR**

COD.	V	A	W	H	L	PROF.
LS-20-12	12V	1,67A	20W	28mm	115mm	45mm
LS-30-12	12V	2,5A	30W	30mm	142mm	42mm
LS-60-12	12V	5A	60W	30,5mm	187mm	45mm
LS-75-12	12V	6,25A	75W	30,5mm	187mm	45mm
LS-120-12	12V	10A	120W	32mm	255mm	43mm
LS-150-12	12V	0,95A	150W	32mm	255mm	43mm
LS-20-24	24V	0,83A	20W	28mm	115mm	45mm
LS-30-24	24V	1,25A	30W	30mm	142mm	42mm
LS-60-24	24V	2,5A	60W	30,5mm	187mm	45mm
LS-75-24	24V	3,13A	75W	30,5mm	168mm	33mm
LS-120-24	24V	5A	120W	30,5mm	268mm	45mm

DESIOLED

Mail: desioled@desioled.it

Tel. 0362 19 08 106

INSTAGRAM: [desio_led](#)

Denominazione sociale: DESIOLED SRL UNIPERSONALE

Sede Legale: Corso Italia 78 - 20832 Desio (Mb)

Sede operativa: Via Milano 152 - 20832 Desio (Mb)

C.F. / P.Iva 07893640966

